

Induction Heater IH 240

Very large heater for bearings up to 1200 kg

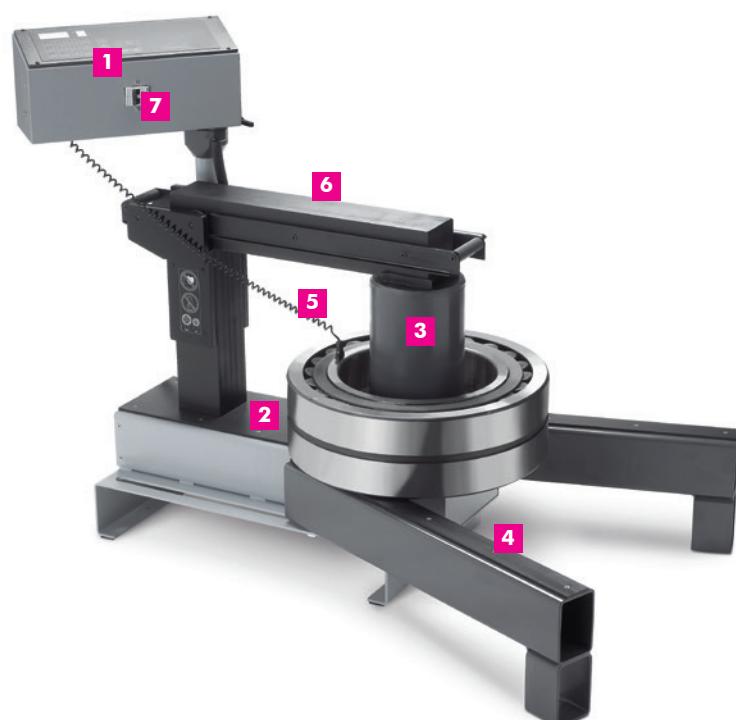


The large simatherm induction heater for roller bearings and other circular metal workpieces up to 850 mm bore diameter and a cross section of 330 x 355 mm. With the integrated time and temperature controls, roller bearings can be heated to the prescribed 110°C while other circular metal workpieces can be heated to 400°C.

- Sliding yoke allows easy loading and unloading
- Can be transported with a forklift or hand lift
- Telescoping support arms for very large workpieces
- Other power versions are available upon request

Description of IH 240

- 1** Clear control panel with LED-display
- 2** Heating surface
- 3** Induction coil outside of the housing shortens the heating time and reduces the energy usage
- 4** Telescoping support arms
- 5** Magnetic temperature probe for monitoring the bearing temperature and for preventing overheating
- 6** Sliding yoke
- 7** Main switch

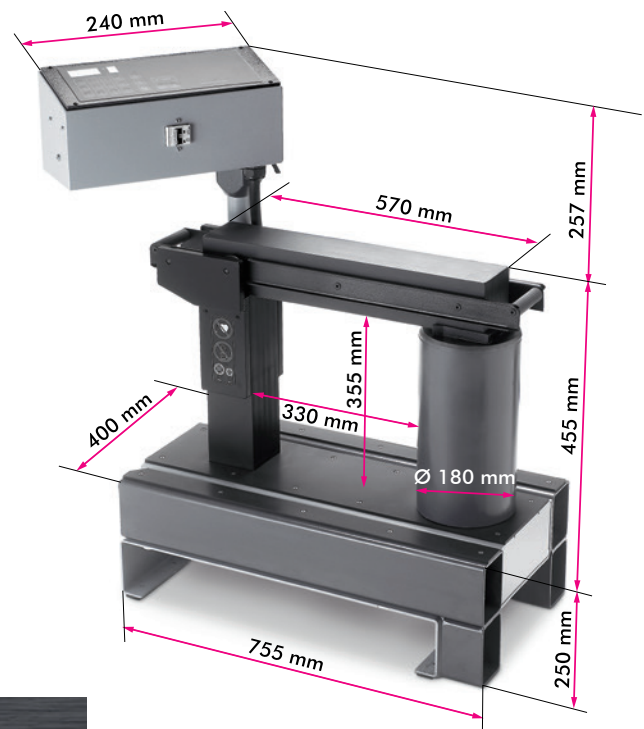


Technical Data IH 240

Designation	Heater for large to very large workpieces
Voltage V / Hz / power	400 V / 50 Hz / 24 kVA 460 V / 60 Hz / 24 kVA 575 V / 60 Hz / 24 kVA
Workpiece	
- Maximum weight	1200 kg
- Bore diameter	142 – 850 mm
Temperature control	
- Range	0 – 250°C
- Magnetic probe	yes, type J
- Accuracy (electronic)	± 3°C
Time control	
- Range	0 – 60 minutes
- Accuracy	± 0.01 seconds
Maximum temperature (approx.)	400°C
Thermometer mode	yes
Bearing temperature mode	yes
Power reduction	yes / 50%
Automatic demagnetization / residual magnetism	yes / < 2A/cm
Suitable for heating sealed bearings	yes
Suitable for heating pre-greased bearings	yes
Error guide codes	yes
Thermal overload protection	yes
Maximum magnetic flux	1.5 T
Control panel	keyboard with LED-display
Size of the operating area (WxH)	330 x 355 mm
Coil diameter	186 mm
Measurements (LxWxH)	750 x 400 x 935 mm
Overall weight including yokes	300 kg
Number of standard yokes	1
Standard yokes	100 x 100 x 570 mm for bearings with a bore diameter of at least 142 mm
Core cross section	100 x 100 mm
Sliding yoke	yes
Cooling fan	optional
Housing material	aluminum

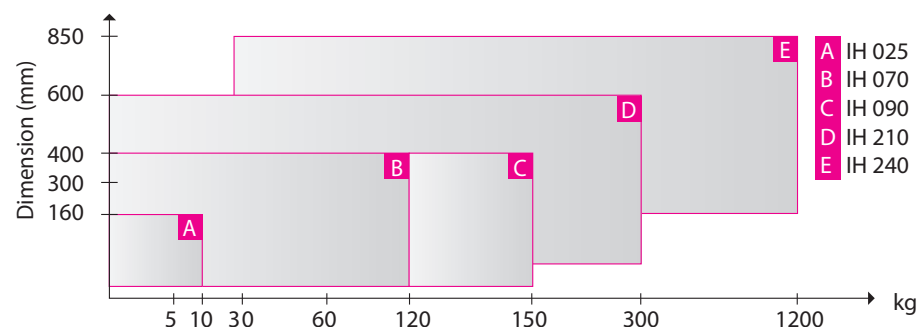
Features and Dimensions IH 240

- Can heat bearings weighing 445 kg in 20 minutes from 20°C to 110°C, saving time and energy
- Two different power consumption levels allow smaller bearings to be heated quickly and efficiently with less energy
- A pre-selected temperature of 110°C protects bearings from overheating
- Automatic demagnetization
- Delivered upon request with the Bearing Handling Tool for professional and secure lifting of large bearings
- 3 year manufacturer warranty



The right heater for your needs

When choosing the simatherm heater to suit your needs, everything essentially depends on the dimensions and weight of the workpieces. The graphic serves as a selection guide.



Lubrication Equipment B.V.

Jacobus lipsweg 100
NL-3316 BP Dordrecht

T: +31 (0)78 - 654 99 66

E: info@le-bv.nl

W: www.lubricationequipment.nl

simatec
smart technologies